

## 5nM RED LIGHT Ex NIGHT MODE



5nM RED LIGHT Ex



# MARINE NAVIGATION AIDS

## 5nM RED LIGHT Ex NIGHT MODE

### KEY FEATURES

- Based on LED technology
- 5nM night mode, red flashing (Morse Letter "U")
- Long life time >10 years life expectancy
- Low consumption
- Stabilised light output
- Compact
- Alarm/remote status control
- Easy to install
- No RF-radiations
- Light output alignment device
- Patented beacon (EU 001929910-0001; Canada 145189; USA D673,474)
- Ex Certificate: CESI 13ATEX037
- ATEX execution: II 2GD Exde IIC T6 Gb Ex tb IIIC T67°C Db IP66

### OPTICAL FEATURES

- Horizontal beam radiation 360°
- Vertical beam spread >2,5°
- PMMA lens

### OPTIONS

- Power supply AC or DC

### MECHANICAL FEATURES

- Painted RAL 7035 aluminium body
- Borosilicate Glass Dome
- Degree of protection: IP66
- Operating temperature: -20°C/-50°C to +55°C
- Storage temperature: -50°C to +60°C
- Lamp unit weight: 6kg

### ELECTRICAL FEATURES

- Power supply for external control panel
- Average power consumption for night mode: 4W
- LED feeded at constant current
- Lightning protection inside controller

### APPLY TO

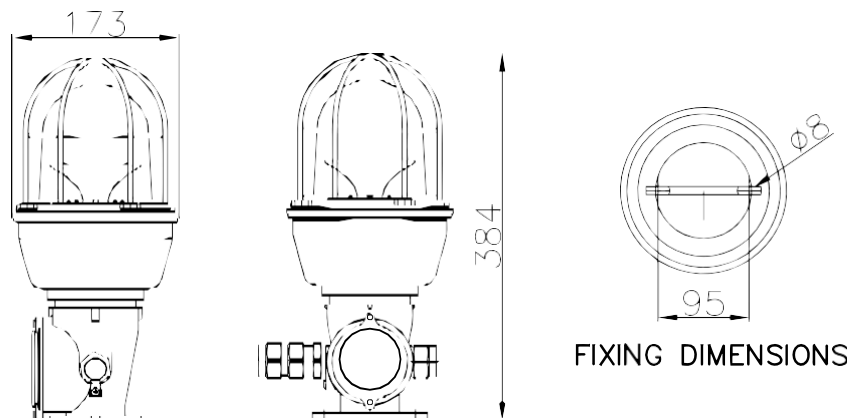
- Oil&Gas platform  
Use as subsidiary light located to mark the horizontal extremities of the structure excepting those mark with white lights as well as interconnecting bridges.

### INTERNATIONAL REGULATION

- IALA Maritime Buoyage System (MBS)
- IALA Recommendation O-139 2<sup>nd</sup> Edition, December 2013
- Standard marking schedule for offshore installations, Decc 04/11
- CE marking
- ATEX

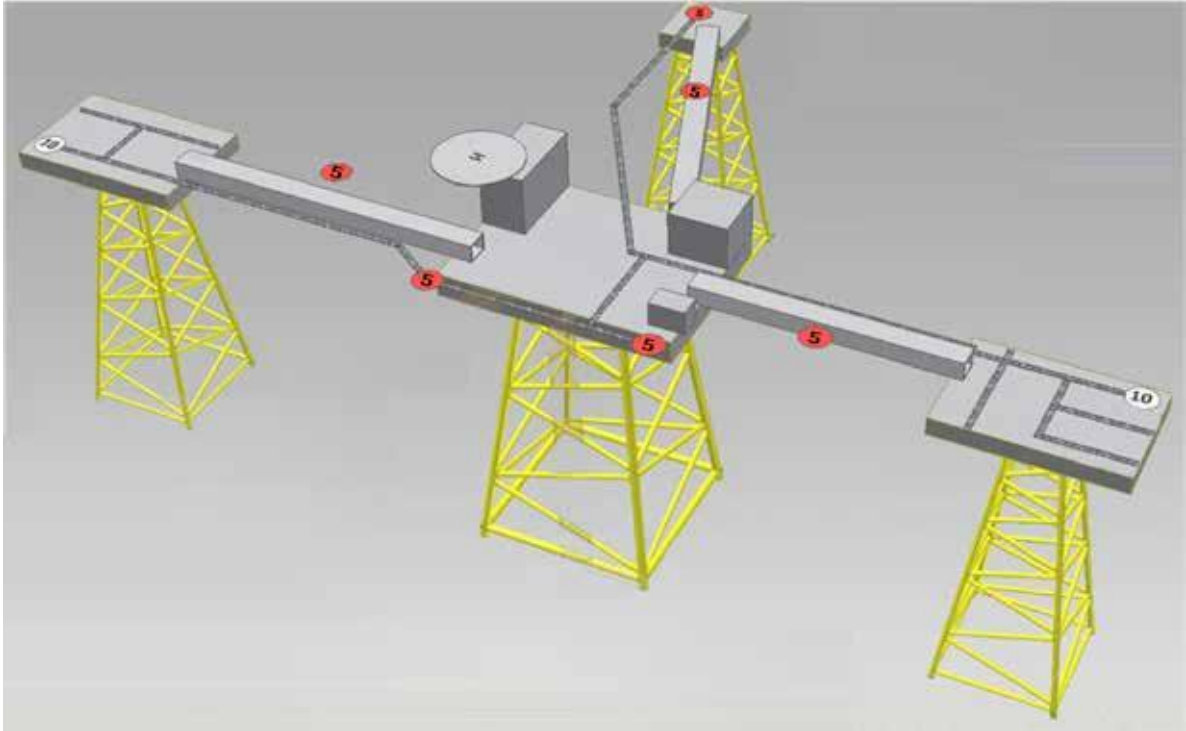
### PART NUMBER

- Part number:
  - ▶ **MNL-LXS-5nM-Ex-230VAC**
  - ▶ **MNL-LXS-5nM-Ex-24VDC**



# MARINE NAVIGATION AIDS

## 5nM RED LIGHT Ex NIGHT MODE



### LEGEND

5 5nM - Red

5nM RED LIGHT Ex

### CERTIFICATIONS



### FEATURES



### TYPICAL APPLICATION

