

AIRCRAFT WARNING LIGHTS

HIGH INTENSITY OBSTRUCTION LIGHT HIOL-B 360°



AWL - HIOL-B

AIRCRAFT WARNING LIGHTS

HIOL-B 360°

KEY FEATURES

- Based on LED technology
- 100.000cd day mode, WHITE flashing
- 20.000cd twilight mode, WHITE flashing
- 2.000cd night mode, WHITE flashing
- Long life time >10 years life expectancy
- Stabilised light output
- Lightweight and compact
- Round-shaped body structure: low wind load factor
- Alarm/remote status control
- Catenary and Simultaneous flash Synchronization.
- Equipped with patented wind collector system that uses "Venturi Effect" to increase cooling by mean of wind.
- Goratex valve anticondensation system
- Borosilicate tempered glass cover protection
- Anodised aluminium central heat-sink for natural draft air cooling
- Light output alignment device
- Patented beacon:
EU 001929910-0001; USA D673,475; Canada 145 189; Turkey TR201205663

OPTICAL FEATURES

- Cd emission @ -0,5° and +4°
- Horizontal beam radiation 120°
- Vertical beam spread 4°
- PMMA lens

OPTIONS

- Dual AB version: white flashing on day and twilight, red flashing on night
- Dual AC version: white flashing on day and twilight, red steady burning on night
- 60fpm version
- Anti bird protection
- Beacon support bracket
- Power supply AC or DC
- GPS (Global Position System) syncro

APPLY TO

- Transmission line Pylons - Wind turbine - Wind mast measurement
- Airport - Stack - High building - Chimney - Tower crane
- Pipe line - Bridge - Radio and television tower
- Radar - Antenna

ELECTRICAL FEATURES

- Average power consumption HIOL-B 360° (@40fpm):
 - Day mode : 528W ±10%(*)
 - Twilight mode: 123W ±10%(*)
 - Night mode: 45W ±10%(*)
 - Peak power consumption HIOL-B 360° (@40fpm):
 - Day mode : 2820W
 - Twilight mode: 498W
 - Night mode: 318W
- (*) Power consumption include the absorption of the Control Panel (Standard Features)
- Electronic Control parts installed outside the beacon (installation on Control Panels)
 - LED feeded at constant current
 - Lightning protection
 - No RF Radiations

MECHANICAL FEATURES

- RAL7035 painted aluminium body lamp
- Silicon gasket
- Degree of protection: IP66
- Easy to install
- Operating temp. range: -50°C to +70°C
- Storage temp. range: -20°C to +45°C
- Lamp unit weight: 12kg

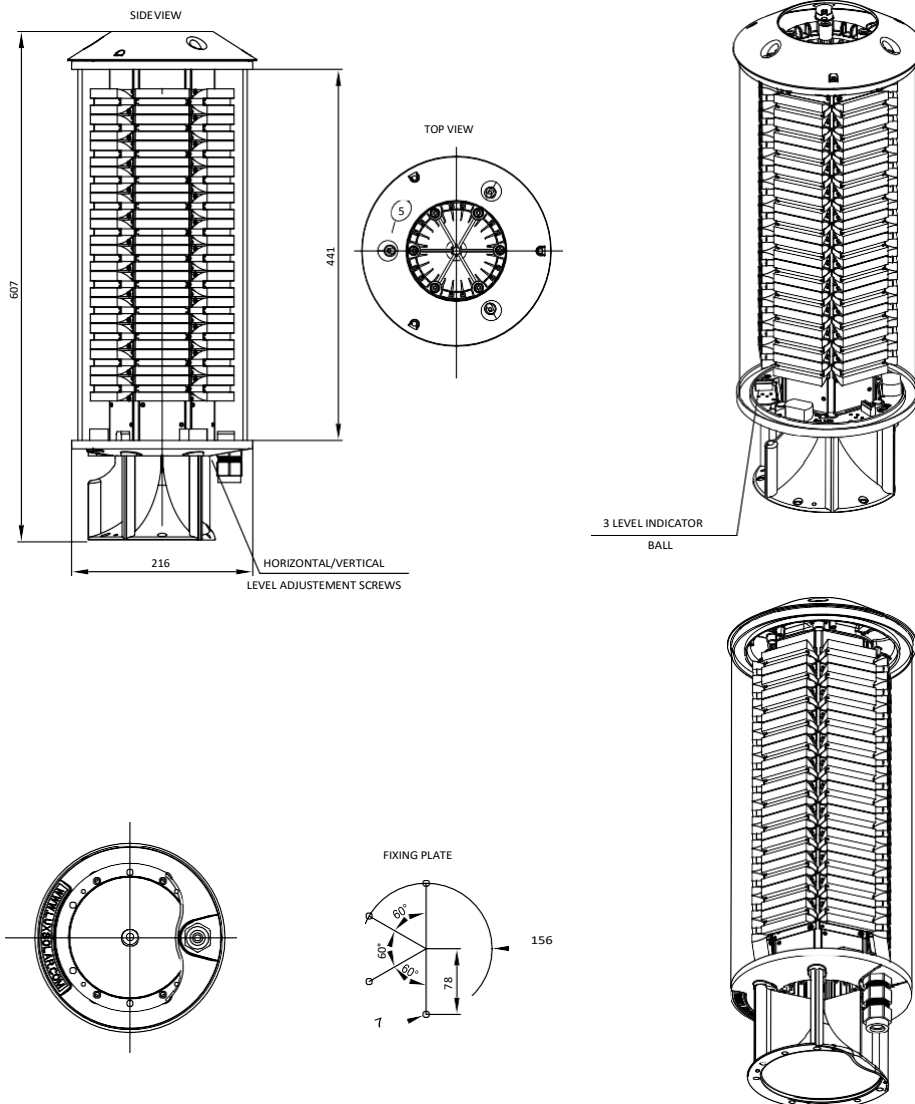
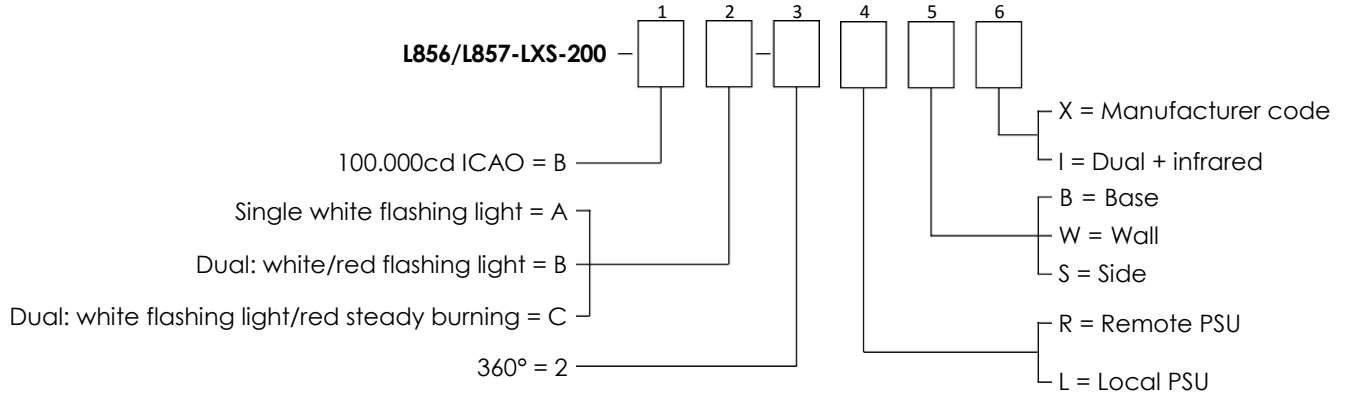
INTERNATIONAL REGULATION

- ICAO Aerodromes - Annex 14 Volume 1, 6th Edition, July 2013 Chapter 6: High intensity, Type-A flashing obstacle light HIOL-A/AB/AC Type
- FAA AC150/5345-43F E.B. #67 Lamp type Dual L-856/L-857
- DGAC/STAC/SE/VIS/08-5078, V1R1 of 14/04/2008
- CE Marking

AIRCRAFT WARNING LIGHTS

HIOL-B 360°

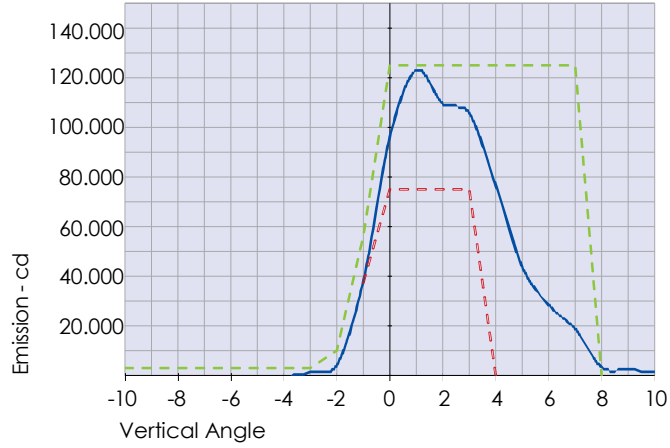
Order code



AWL - HIOL-B

AIRCRAFT WARNING LIGHTS

HIOL-B 360°



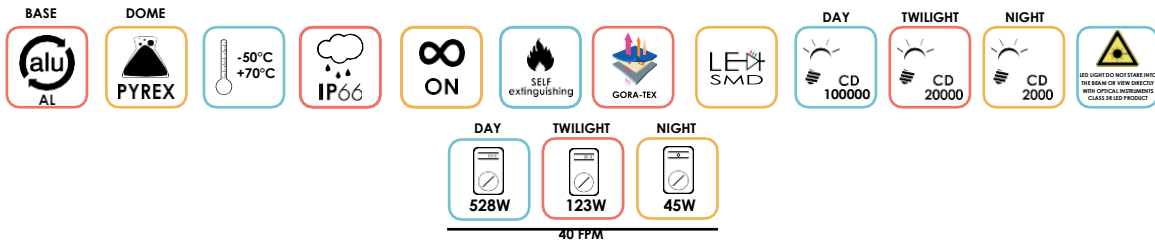
- L856-LXS-B average emission level at 70°C ambient temperature
- - - ICAO ANNEX 14 high intensity type B - Minimum Required Intensity
- - - ICAO ANNEX 14 high intensity type B - Maximum Required Intensity

AWL - HIOL-B

CERTIFICATIONS



FEATURES



TYPICAL APPLICATION

