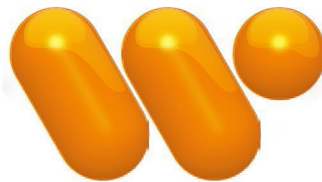


AIRCRAFT WARNING LIGHTS

WETRA SINGLE OBSTRUCTION LIGHT



wetra

AIRCRAFT WARNING LIGHTS

info@ucakikazlambasi.com.tr - www.ucakikazlambasi.com.tr - tel. +90 216 415 80 87

AIRCRAFT WARNING LIGHTS

WETRA SINGLE OBSTRUCTION LIGHT

KEY FEATURES

- Based on LED technology
- Steady/Flashing burning options
- Color Options: Red, White, Yellow, Blue
- >32 candela light intensity
- Long life time > 10 year
- 140 quantities multiple LED
- Stabilised light output
- Lightweight and compact
- Low wind load factor
- Easy to install
- No RF-radiations

OPTICAL FEATURES

- 360° horizontal beam radiation with special LED technology
- Vertical beam spread >10°
- Optical reflector
- Cd emission +4° and + 8°

OPTIONS

- Dual light option
- 12-24-48-120-220 voltage options
- Fault alarm
- Infrared available
- Beacon support bracket
- Night and day detection with micro processor and photocell

ELECTRICAL FEATURES

- Power supply AC or DC
- Power consumption 6-7 Watt/hour
- LED feeded at constant current

MECHANICAL FEATURES

- Warming, icing and ignition-resistant polycarbonate UV dome
- Aluminium body
- Silicon gasket
- Degree of protection IP 65-66 NEMA 4X
- Operating temperature -55 ° ve +55 °
- Storage temperature -55 ° ve +55 °
- Light unit weight: 1.8 kg

APPLY TO

- Airport - High Structure - High Building - Stack - Tower crane
- Pipe line - Bridge - Radio and television tower
- Transmission line - Wind turbine - Wind mast measurement
- Radar- Antenna
- Flag poles - Monopol and cage tower

INTERNATIONAL & NATIAONAL REGULATIONS

- ICAO Airport - Annex 14 Volume 1, 6.Edition, July 2013 Chapter 6
- FAA
- CE
- TSE



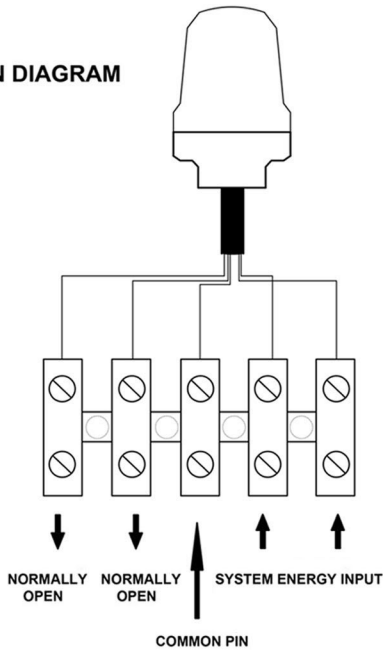
AIRCRAFT WARNING LIGHTS

WETRA SINGLE OBSTRUCTION LIGHT

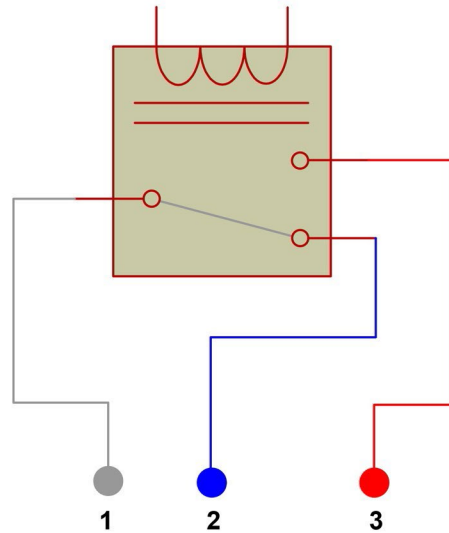
ORDER CODE	OPTIONS
WA310S-12	12V
WA310S-24	24V
WA310S-48	48V
WA310S-120	120V
WA310S-220	220V



CONNECTION DIAGRAM



ALERT INPUT / OUTPUT
ELECTRICAL ISOLATED FROM SYSTEM ENERGY



1= COMMON CONNECTION END
2= NORMALLY OPEN OUTPUT
3= NORMALLY CLOSED OUTPUT

NORMALLY OPEN CIRCUIT CONNECTION DIAGRAM :1-2 (GREY-BLUE)
NORMALLY CLOSED CIRCUIT CONNECTION DIAGRAM :1-3 (GREY-RED)

BEACON SUPPORT BRACKET DIMENSIONS

